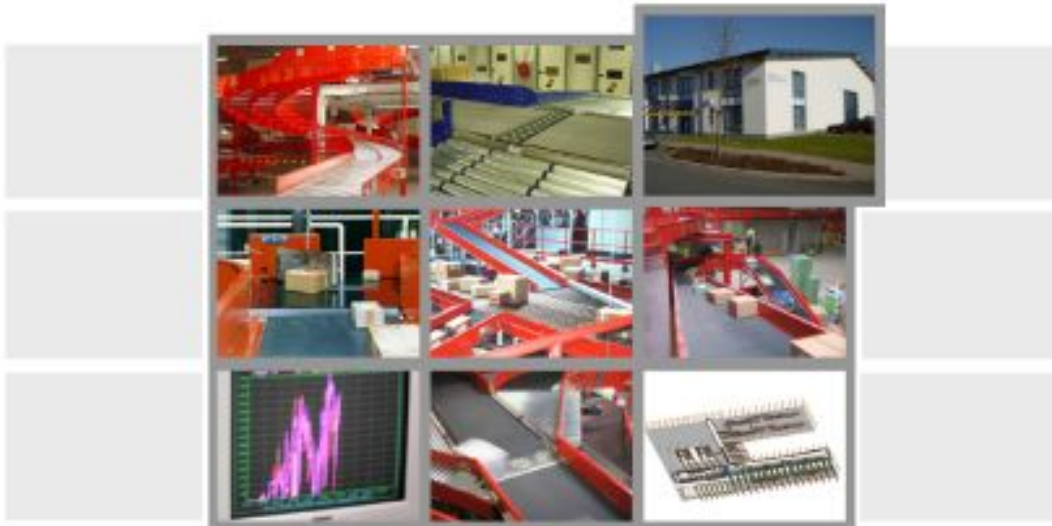


# High Performance Sorting Systems

## Components Catalogue



**302 belt conveyors with tensioning unit, heavy t**



**GFS.500.var**

Belt Conveyor , BC length variable to 18000 , nd=500

**field of application**

Cargo handling with individual weights up to 50kg(110lbs).

**frame**

Construction of pulver-coated CS-Profiles, standard lengths and accessories galvanized, material strenght 4mm, system hole pattern for flexible attachment of accessories. Belt support phenol-coated for noise reduction. For segment-belt conveyors, support of heavy duty plastic.

**drive**

Power transmission by noise reduced brand-name serrated belt, with sophisticated set of pulleys for minimum number of variants on motors and drive parts. Return rollers with sealed bearings. Belt pulleys with high performance brand-name self aligning roller bearings.

**power supply**

minimal power supply: 0,75kW  
maximum power supply: 7,5kW

**geometric dimensions**

min. conveying level over ground: 400mm(1,3ft)  
net width: 500mm (1,6ft)  
length: from 300mm(9,7ft), up to 18000mm(59ft)

**conveying medium**

Endless welded brand-name belts.

**maintenance**

All part are performed for easy maintenace and long lifecycle. All bearings are lifecycle lubricated. Geared motors are free of maintenace and filled with high performance synthetic oil. Therefore you have only a minimum of maintenace and sparepart cost.

**accessories**

All conveyors and components are performed for the use with a wide range of accessories. Accessories are, only excerpts, supports, side guides, light barriers, scanners, roller guides, and many parts more.

**speed and performance**

minimum speed: 0,5m/s (98,5 ft/min)  
maximum speed: 2,65m/s (521,6 ft/min)  
0,8m/s, 1m/s, 1,2m/s, 1,4m/s, 1,6m/s, 1,8m/s,  
2m/s, 2,2m/s, 2,4m/s, other speed on request

**additional features**

Other conveyor-widths project-related or on request possible.



**GFS.800.var**

Belt Conveyor , BC length variable to 18000 , nd=800

**field of application**

Cargo handling with individual weights up to 50kg(110lbs).

**frame**

Construction of pulver-coated CS-Profiles, standard lengths and accessories galvanized, material strenght 4mm, system hole pattern for flexible attachment of accessories. Belt support phenol-coated for noise reduction. For segment-belt conveyors, support of heavy duty plastic.

**drive**

Power transmission by noise reduced brand-name serrated belt, with sophisticated set of pulleys for minimum number of variants on motors and drive parts. Return rollers with sealed bearings. Belt pulleys with high performance brand-name self aligning roller bearings.

**power supply**

minimal power supply: 0,75kW  
maximum power supply: 7,5kW

**geometric dimensions**

min. conveying level over ground: 400mm(1,3ft)  
net width: 800mm (2,6ft) length:  
from 300mm(9,7ft), up to 18000mm(59ft)

**conveying medium**

Endless welded brand-name belts.

**maintenance**

All part are performed for easy maintenace and long lifecycle. All bearings are lifecycle lubricated. Geared motors are free of maintenace and filled with high performance synthetic oil. Therefore you have only a minimum of maintenace and sparepart cost.

**accessories**

All conveyors and components are performed for the use with a wide range of accessories. Accessories are, only excerpts, supports, side guides, light barriers, scanners, roller guides, and many parts more.

**speed and performance**

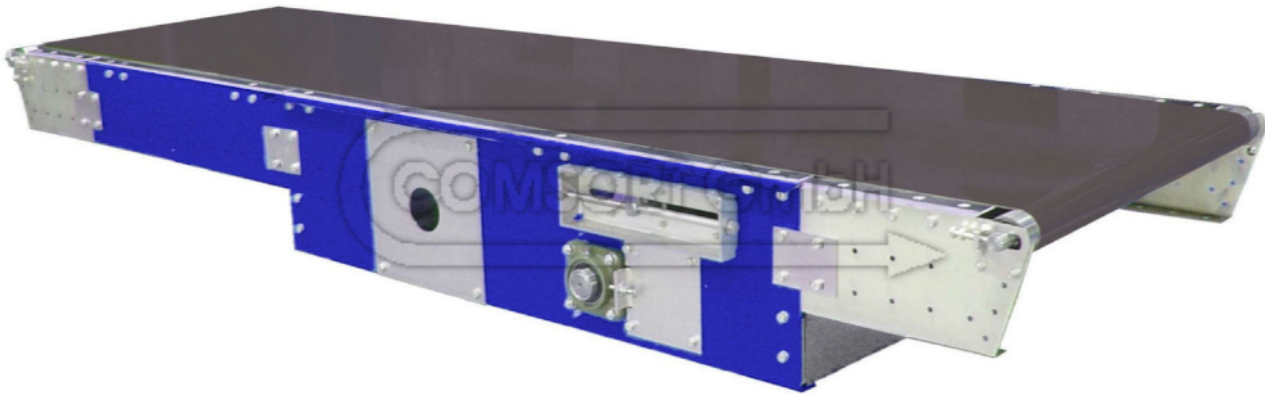
minimum speed: 0,5m/s (98,5 ft/min)  
maximum speed: 2,65m/s (521,6 ft/min)  
0,8m/s, 1m/s, 1,2m/s, 1,4m/s, 1,6m/s, 1,8m/s,  
2m/s, 2,2m/s, 2,4m/s, other speed on request

**additional features**

Other conveyor-widths project-related or on request possible.

**302 belt conveyors with tensioning unit, heavy t**

03 103 00001 000



**GFS.1000.var**

Belt Conveyor , BC length variable to 6000 , centre take-up station nd=1000

**field of application**

Cargo handling with individual weights up to 50kg(110lbs).

**frame**

Construction of pulver-coated CS-Profiles, standard lengths and accessories galvanized, material strenght 4mm, system hole pattern for flexible attachment of accessories. Belt support phenol-coated for noise reduction. For segment-belt conveyors, support of heavy duty plastic.

**drive**

Power transmission by noise reduced brand-name serrated belt, with sophisticated set of pulleys for minimum number of variants on motors and drive parts. Return rollers with sealed bearings. Belt pulleys with high performance brand-name self aligning roller bearings.

**power supply**

minimal power supply: 0,75kW  
maximum power supply: 7,5kW

**geometric dimensions**

min. conveying level over ground: 400mm(1,3ft)  
net width: 1000mm (3,3ft) length:  
from 300mm(9,7ft), up to 18000mm(59ft)

**conveying medium**

Endless welded brand-name belts.

**maintenance**

All part are performed for easy maintenance and long lifecycle. All bearings are lifecycle lubricated. Geared motors are free of maintenace and filled with high performance synthetic oil. Therefore you have only a minimum of maintenace and sparepart cost.

**accessories**

All conveyors and components are performed for the use with a wide range of accessories. Accessories are, only excerpts, supports, side guides, light barriers, scanners, roller guides, and many parts more.

**speed and performance**

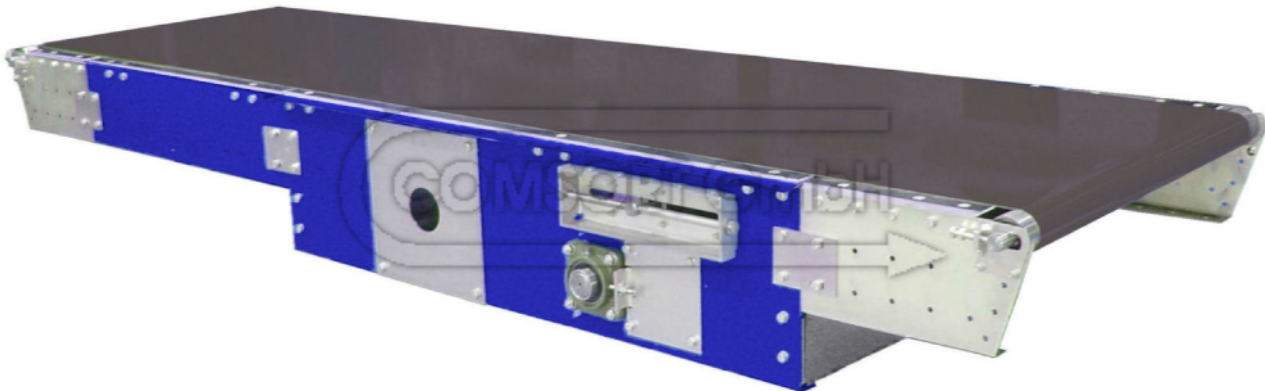
minimum speed: 0,5m/s (98,5 ft/min)  
maximum speed: 2,65m/s (521,6 ft/min)  
0,8m/s, 1m/s, 1,2m/s, 1,4m/s, 1,6m/s, 1,8m/s,  
2m/s, 2,2m/s, 2,4m/s, other speed on request

**additional features**

Other conveyor-widths project-related or on request possible.

**302 belt conveyors with tensioning unit, heavy t**

03 123 00001 000



**GFS.1200.var**

Belt Conveyor , BC length variable to 18000 , nd=1200

**field of application**

Cargo handling with individual weights up to 50kg(110lbs).

**frame**

Construction of pulver-coated CS-Profiles, standard lengths and accessories galvanized, material strength 4mm, system hole pattern for flexible attachment of accessories. Belt support phenol-coated for noise reduction. For segment-belt conveyors, support of heavy duty plastic.

**drive**

Power transmission by noise reduced brand-name serrated belt, with sophisticated set of pulleys for minimum number of variants on motors and drive parts. Return rollers with sealed bearings. Belt pulleys with high performance brand-name self aligning roller bearings.

**power supply**

minimal power supply: 0,75kW  
maximum power supply: 7,5kW

**geometric dimensions**

min. conveying level over ground: 400mm(1,3ft)  
net width: 1200mm (3,9ft) length:  
from 300mm(9,7ft), up to 18000mm(59ft)

**conveying medium**

Endless welded brand-name belts.

**maintenance**

All part are performed for easy maintenance and long lifecycle. All bearings are lifecycle lubricated. Geared motors are free of maintenace and filled with high performance synthetic oil. Therefore you have only a minimum of maintenace and sparepart cost.

**accessories**

All conveyors and components are performed for the use with a wide range of accessories. Accessories are, only excerpts, supports, side guides, light barriers, scanners, roller guides, and many parts more.

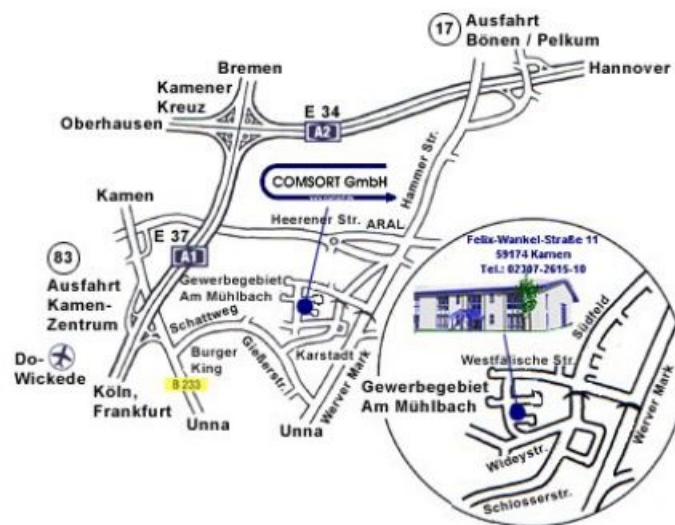
**speed and performance**

minimum speed: 0,5m/s (98,5 ft/min)  
maximum speed: 2,65m/s (521,6 ft/min)  
0,8m/s, 1m/s, 1,2m/s, 1,4m/s, 1,6m/s, 1,8m/s,  
2m/s, 2,2m/s, 2,4m/s, other speed on request

**additional features**

Other conveyor-widths project-related or on request possible.

## Your way to COMSORT



COMSORT GMBH  
FELIX-WANKEL-STR. 11  
D- 59174 KAMEN



FON : +49 (0) 2307 / 2615-10  
FAX : +49 (0) 2307 / 2615-20  
Email : info@COMSORT.de